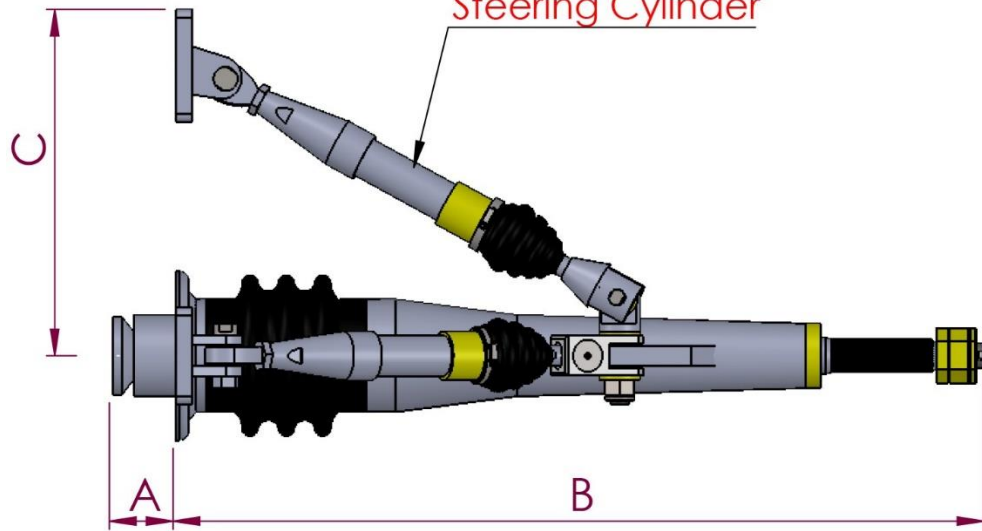


TS 40

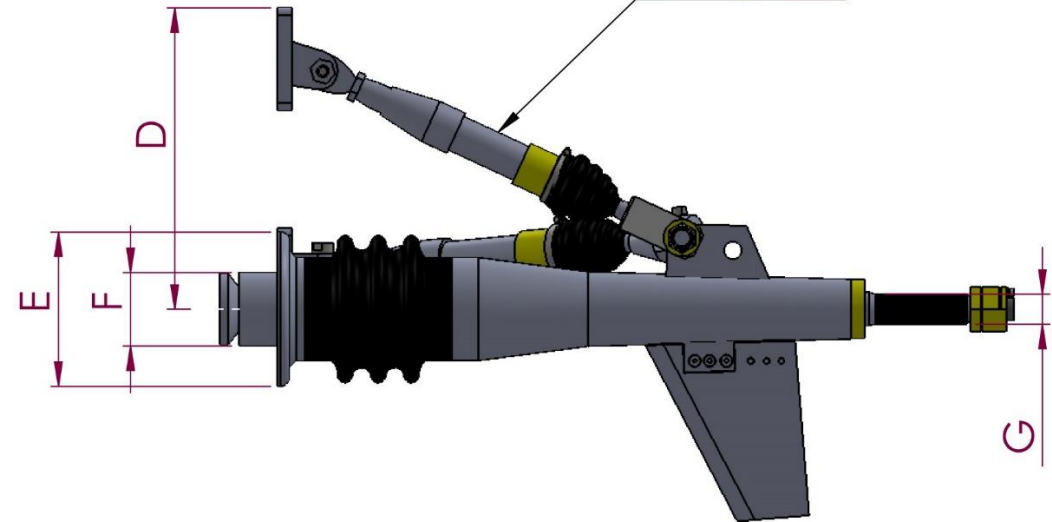
Up View

Steering Cylinder



Side View

Trim Cylinder



Max Torque Input : 1.400Nm

A	80 mm
B	1000 mm
C	330 mm
D	410mm
E	∅ 210 mm
F	∅ 100 mm
G	Z 19