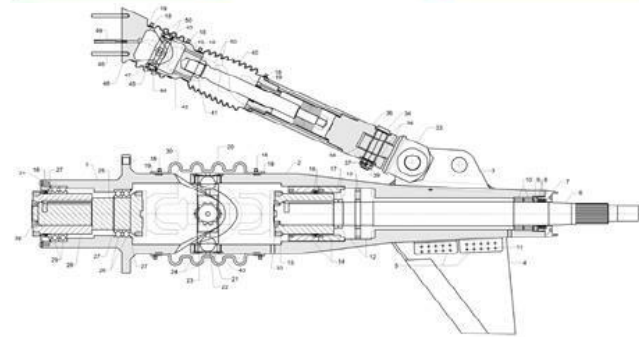




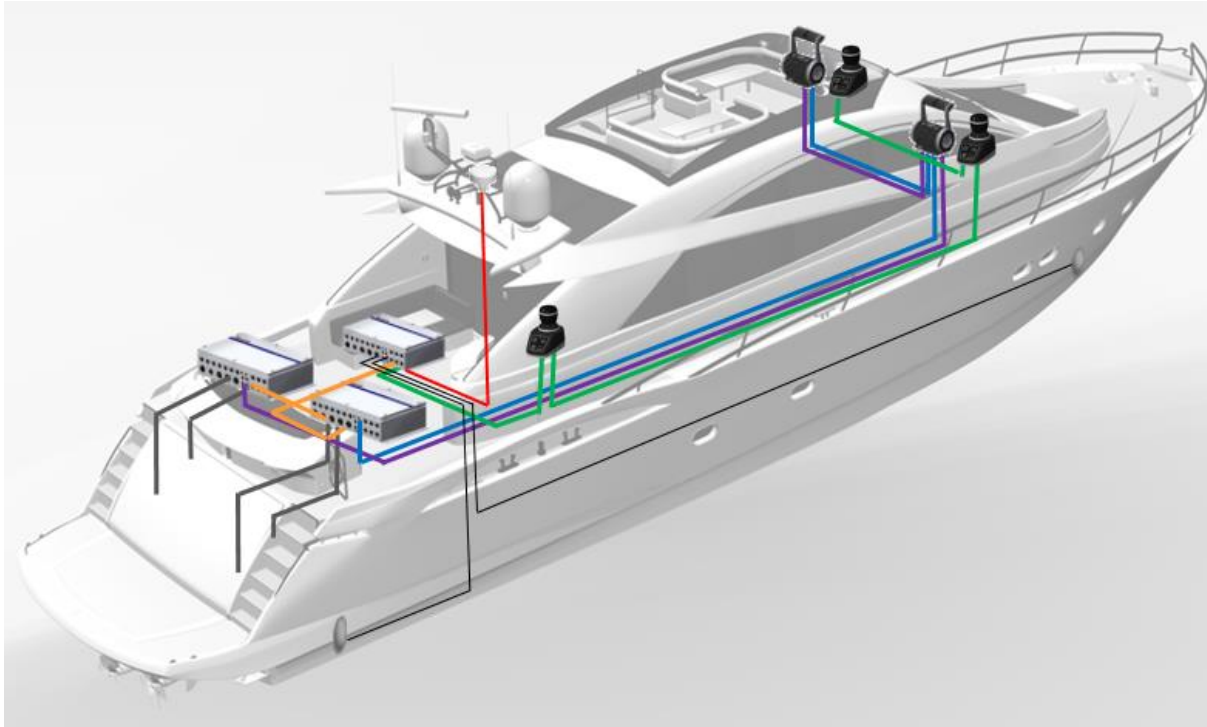
PROPULSION SYSTEM SURFACE PROPELLERS



ITALIAN INNOVATION AND TECHNOLOGY
www.topsystemdrive.com - info@topsystemdrive.com

NEWS 2020: INTEGRATED CONTROL SYSTEM MAREX

Top System EASY SET is innovative control system for surface drive, it is the gateway to connect other systems as the Integrated Control System Marex.



Top System EASY SET is innovative control system for surface drive, it is the gateway to connect other systems as the Integrated Control System Marex.

Marex OS III

Characteristic	Range
Protection category	IP66 (above desk)
Supply voltage	The power supply provided by MPC or EPU
Current consumption	See above
Operating temperature	-25°C to +70°C
Design	CAN bus suitable control head for transmitting signals to the MPC
Interfaces	2 x CAN-Input M12 2 x CAN-Output M12
Variants	<ul style="list-style-type: none"> ▪ With 2 or 3 levers ▪ Color: chrome
Application area	<ul style="list-style-type: none"> ▪ Reversing gear propulsion systems with following functions: <ul style="list-style-type: none"> • Trolling • Warming up • Synchronization • Slip and grip • Alarm



Top System EASY SET is innovative control system for surface drive, it is the gateway to connect other system. MAREX SYSTEM IS INTEGRATED with Easy Set .

Marex OS3D

Characteristic	Range
Protection category	IP67
Supply voltage	38 V DC -25% / +30% 24 V DC -25% / +30% 12 V DC -20% / +30%
Current consumption	0.13 A : 38 V DC 0.2 A : 24 V DC 0.4 A : 12 V DC
Operating temperature	-25°C to +70°C
Design	Type 530
Number of axis	3 (x,y,z)



Marex OS 3D AVENTICS®

Thruster mode – manual control with paired lever

First Maneuver	Second Maneuver	Combined Maneuver
	$+$	$=$
	$+$	$=$

Marex OS 3D AVENTICS®

3D mode - easy maneuver

Ahead and astern	Lateral movements	Rotational movements



Marex OS 3D AVENTICS®

Thruster mode – manual thruster control

Individual control Specific movements	Combined control Lateral movements	Combined control Rotational movements

Marex OS 3D AVENTICS®

3D mode – complex maneuver

First Maneuver	Second Maneuver	Combined Maneuver
	$+$	$=$
	$+$	$=$

Marex 3D AVENTICS®

Dynamic Positioning Features

Hold Modes	Heading	Position	Requirements	Use Cases/ Benefits
Heading Mode 	Fixed	Floating <i>According to wind and current</i>	Included: New joystick type531 and compass needs to be installed	- Sports Fishing - Keep the view to sunset, skyline, etc. - ...
Hold Position 	Fixed	Fixed	DP-module incl. GPS	- Waiting at watergates, fuel stations, etc. - ...
Virtual Anchoring 	„Natural“ According to wind and current	Fixed range	DP-module incl. GPS	- Keeping position with optimized fuel consumption and noise



www.topsystemdrive.com